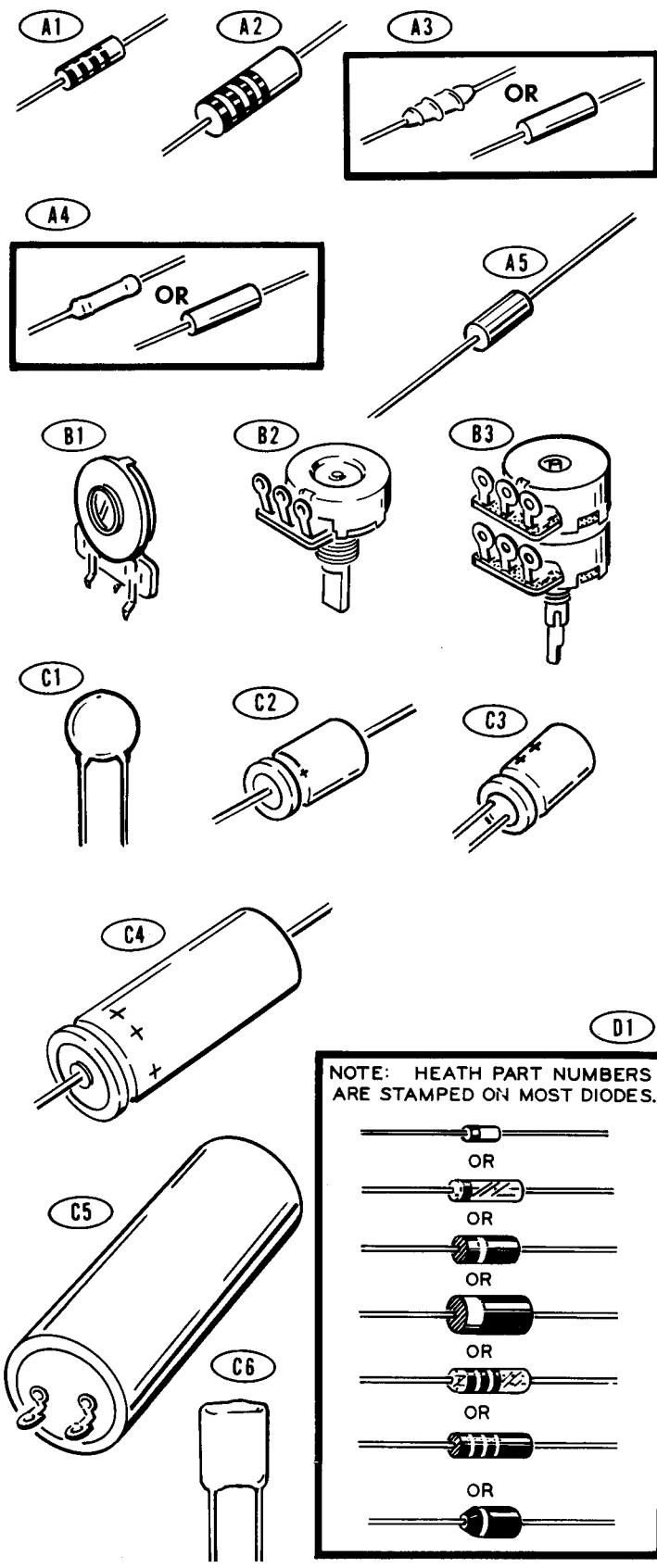


# ILLUSTRATION



**NOTE: HEATH PART NUMBERS ARE STAMPED ON MOST DIODES.**

OR

OR

OR

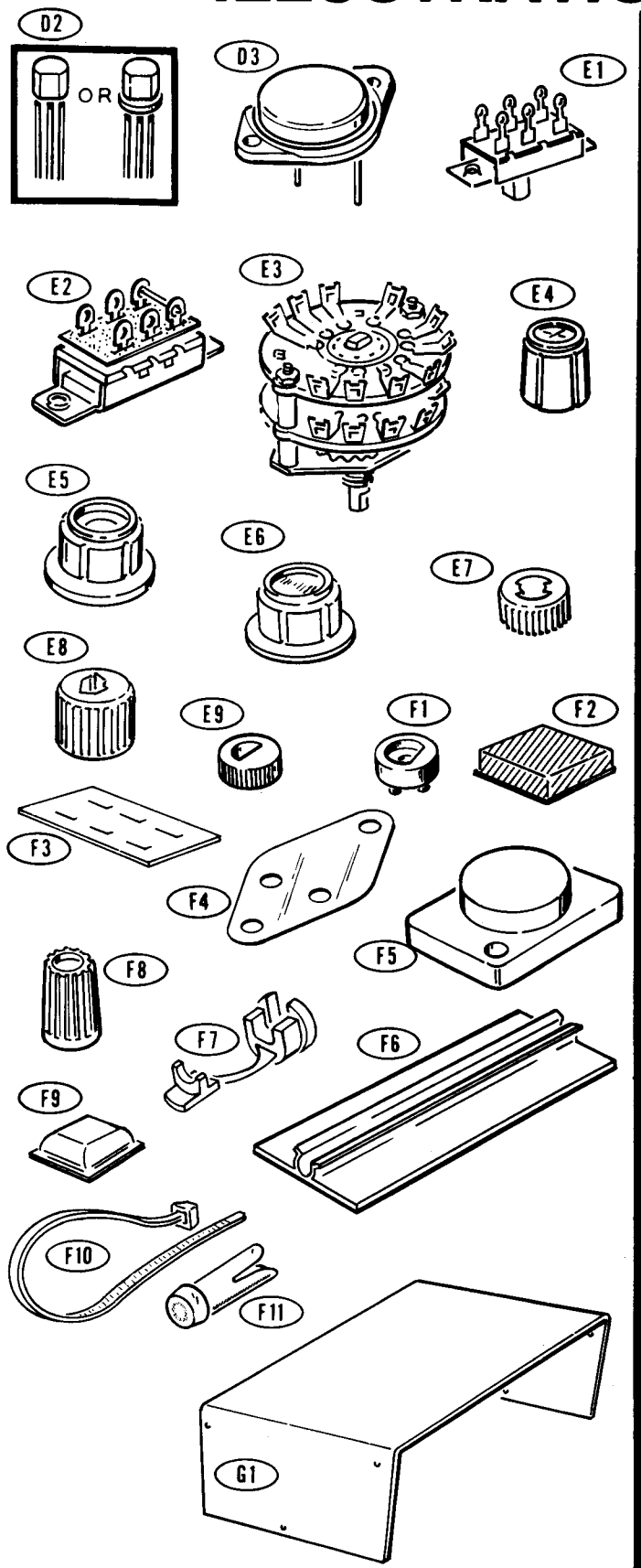
OR

OR

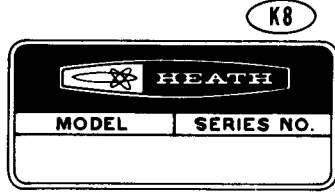
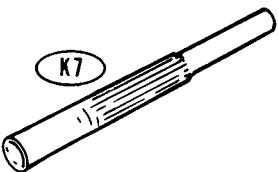
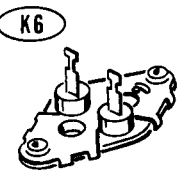
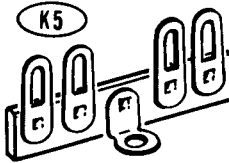
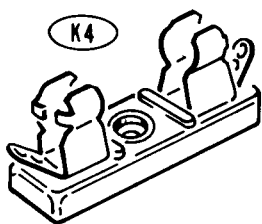
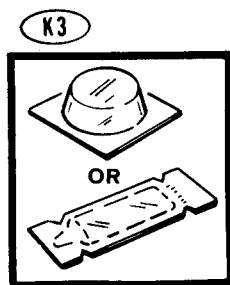
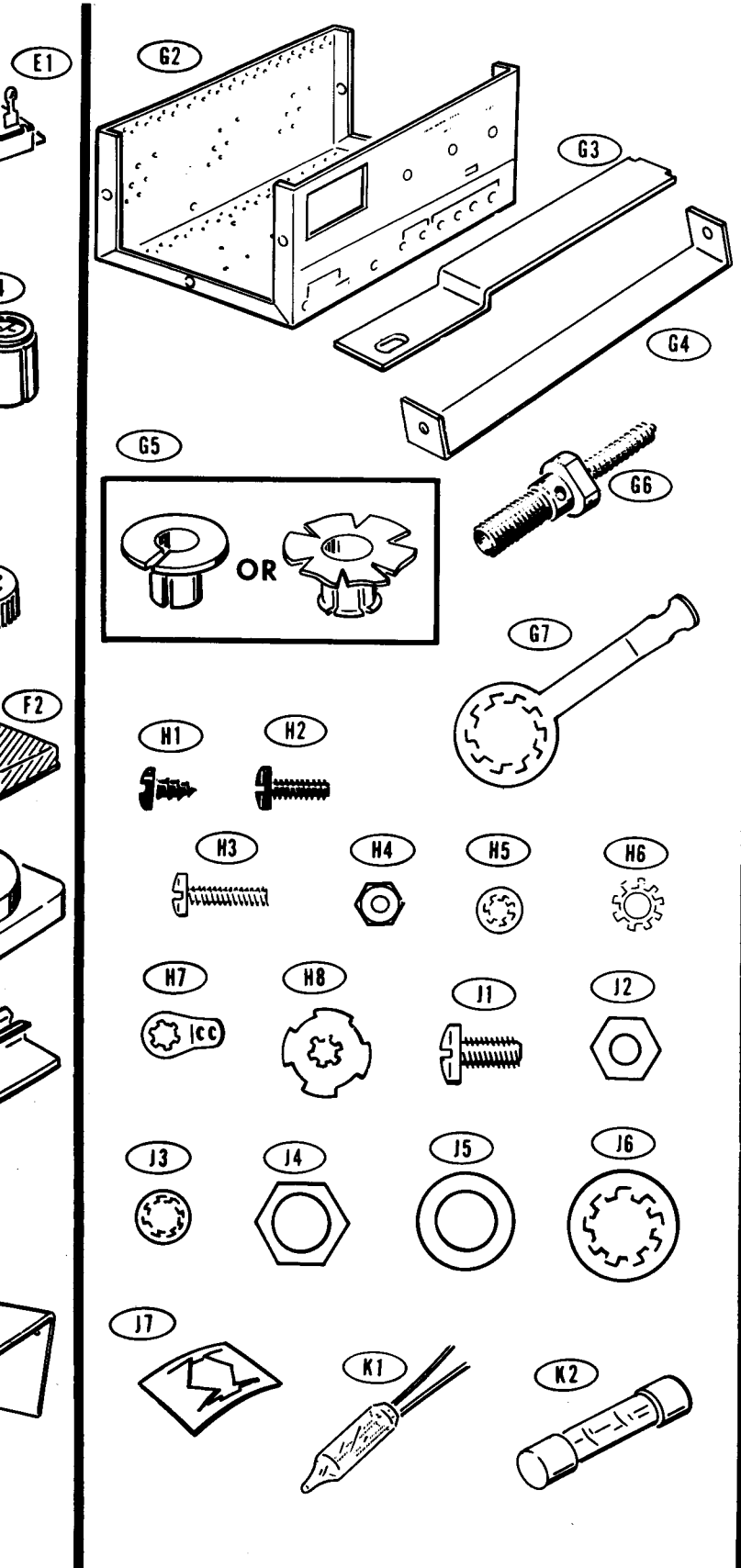
OR

OR

OR



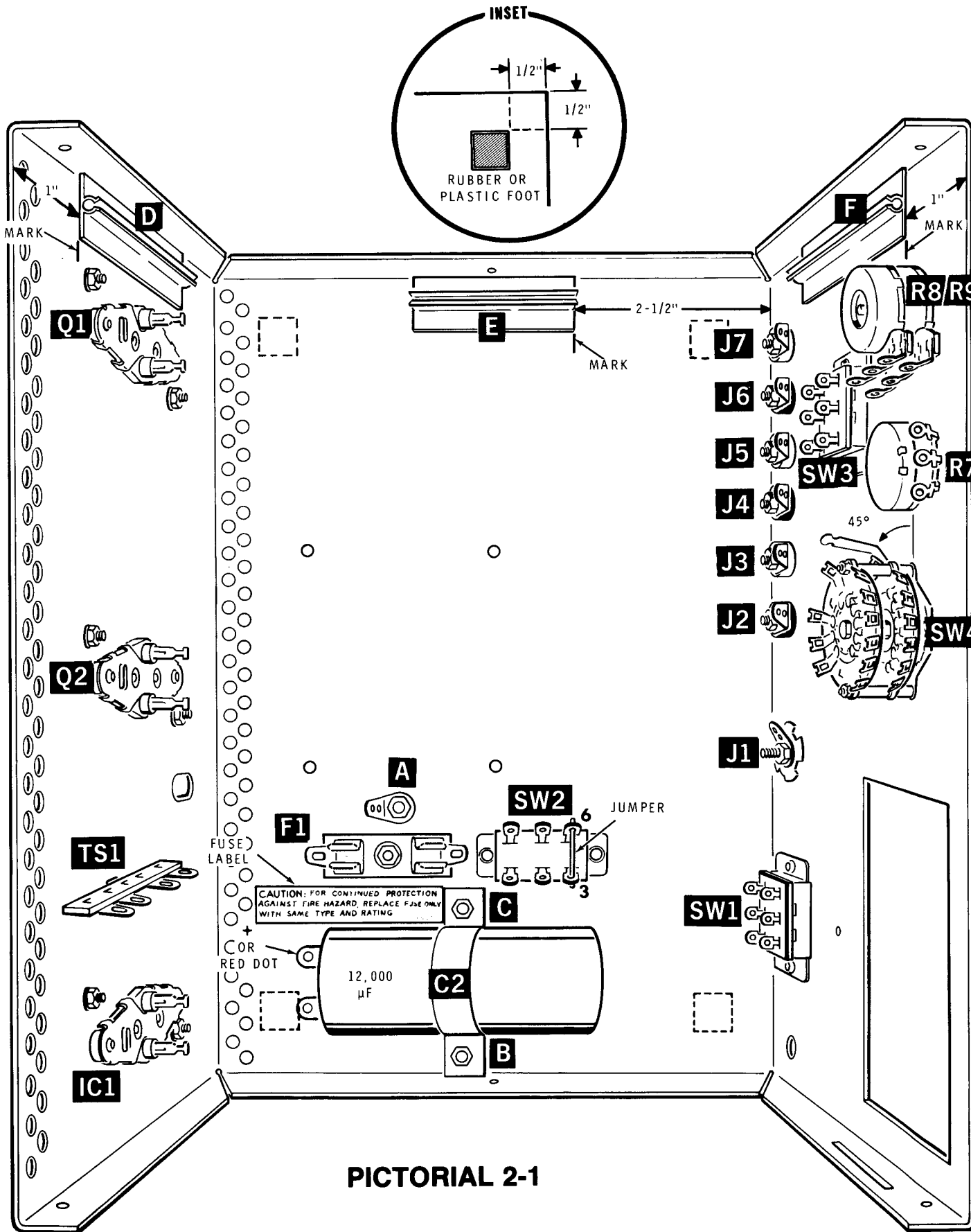
# TION BOOKLET



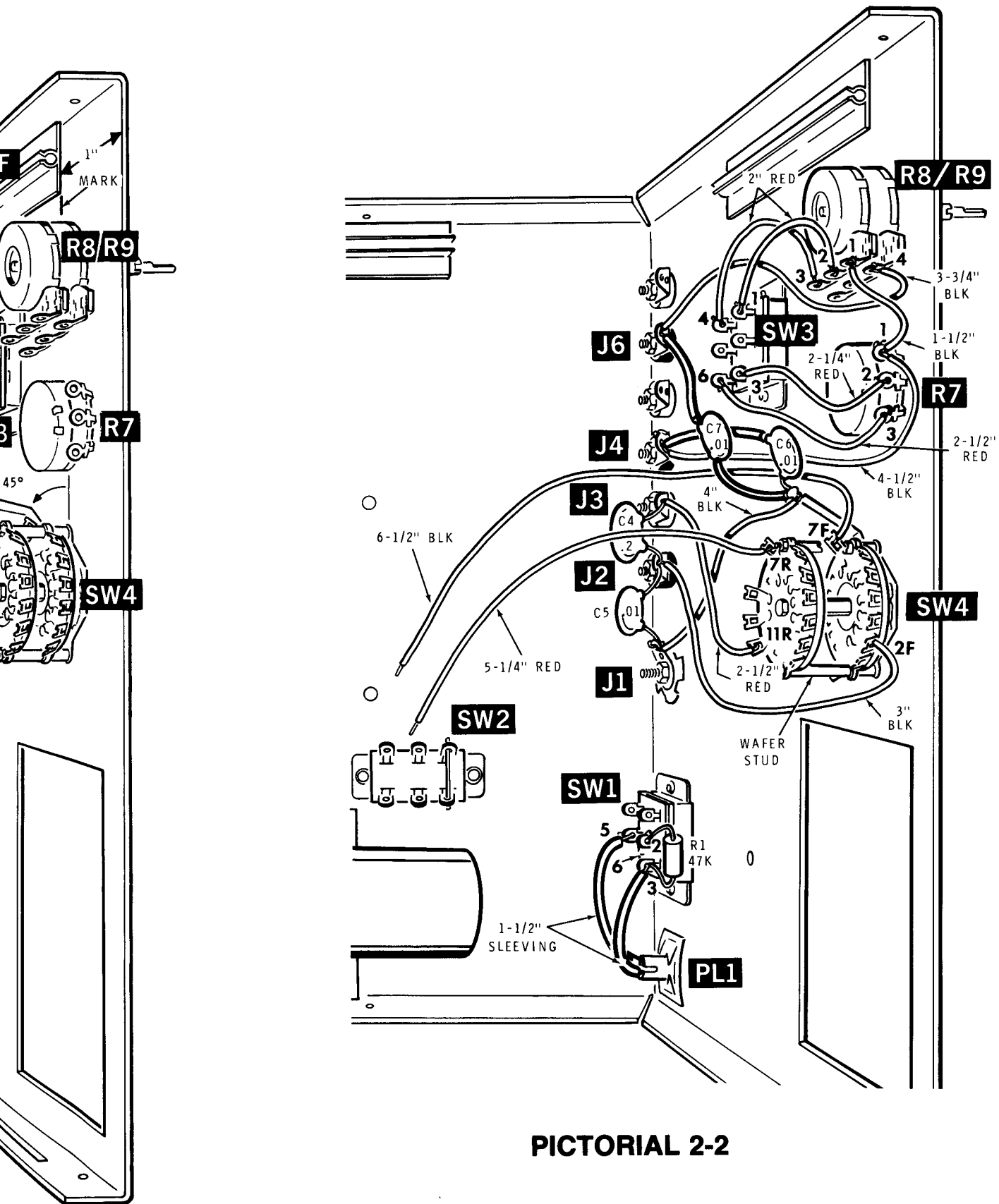
**K9**  
 CAUTION: FOR CONTINUED PROTECTION AGAINST FIRE HAZARD, REPLACE FUSE ONLY WITH SAME TYPE AND RATING. 290-1255

Model IP-2718

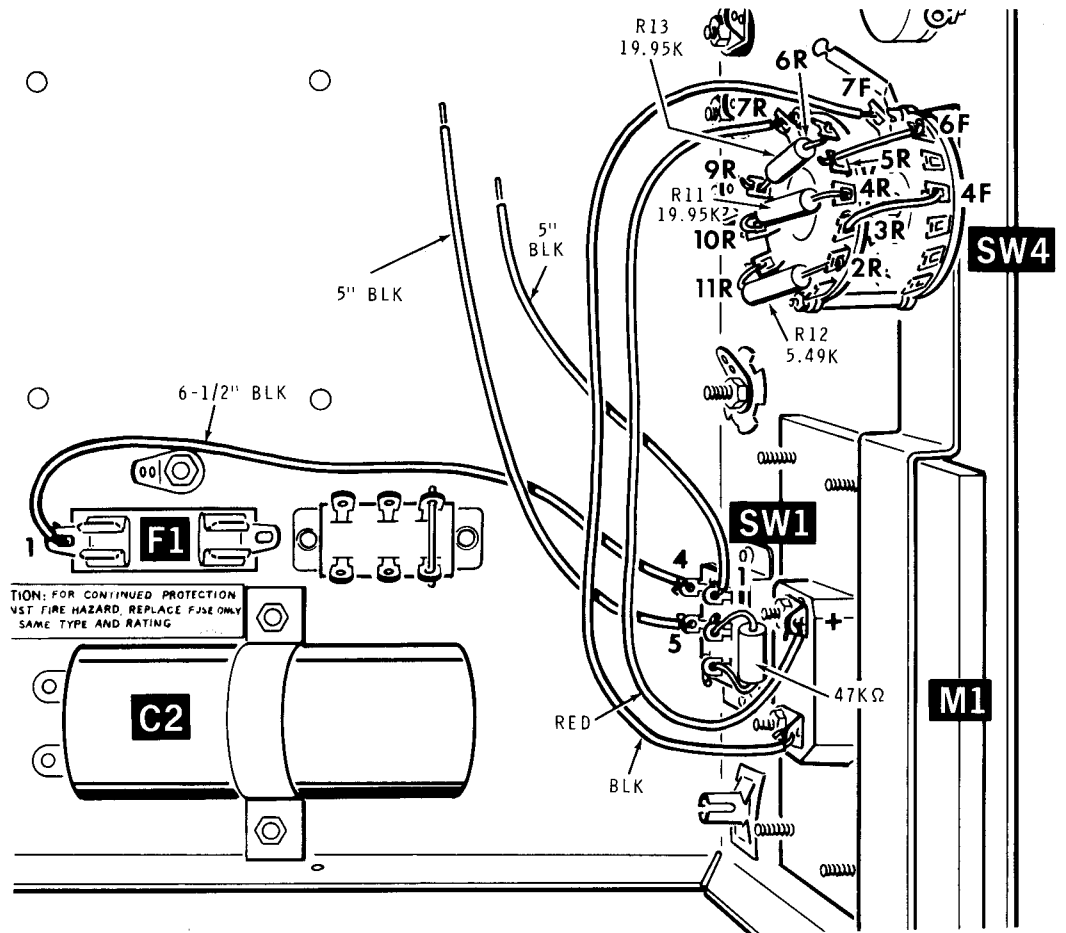
Copyright © 1976  
 Heath Company  
 All Rights Reserved



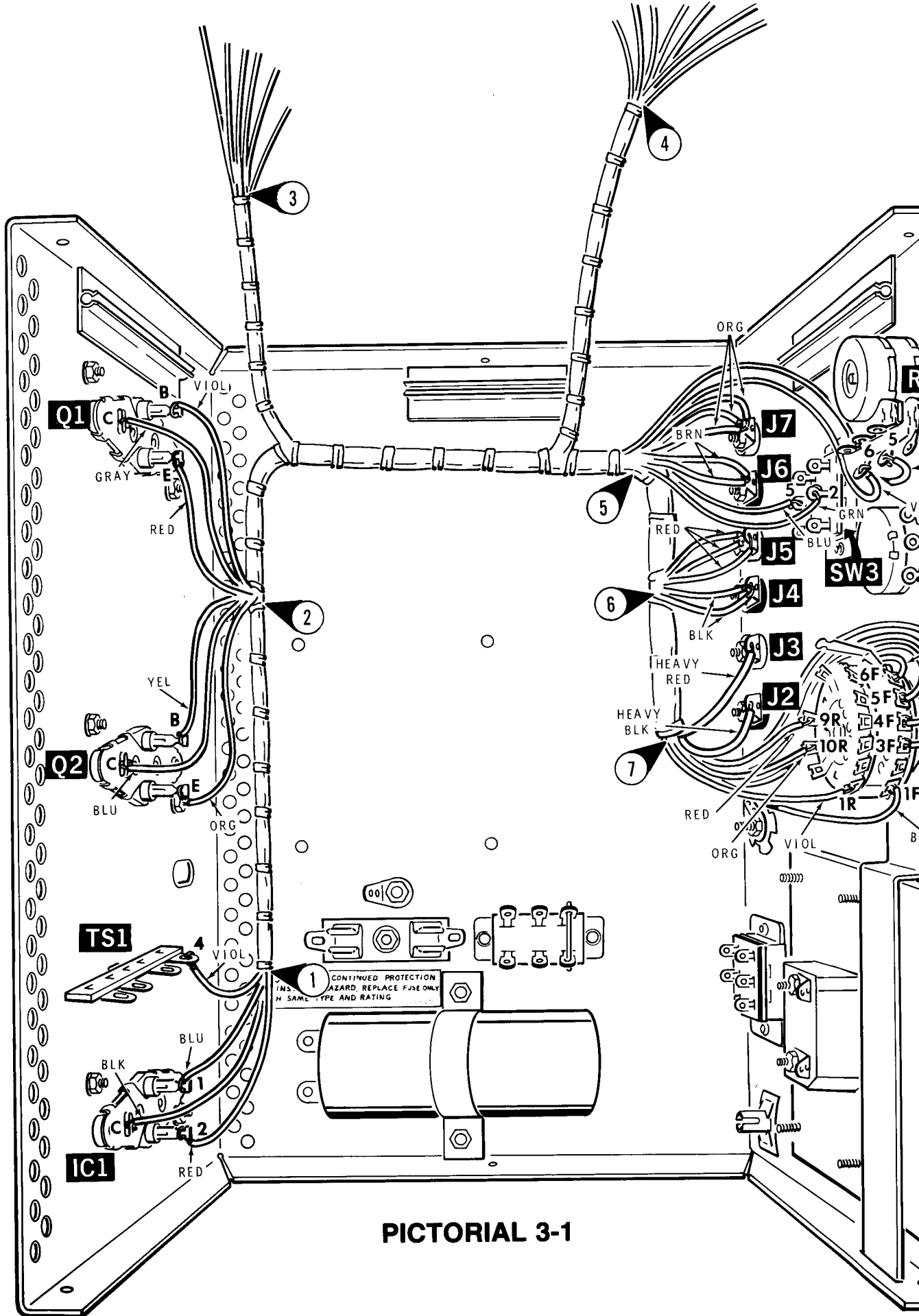
**PICTORIAL 2-1**



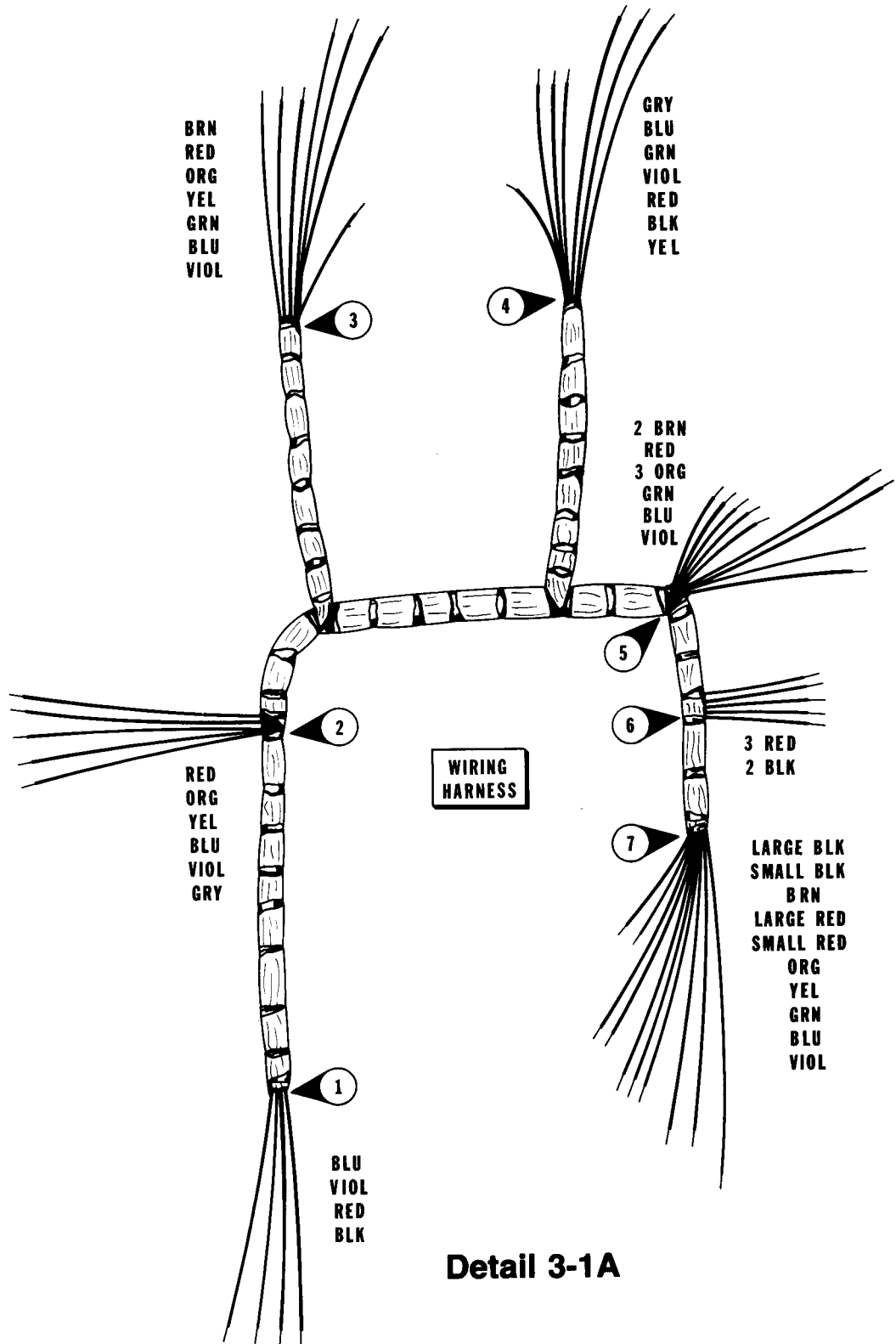
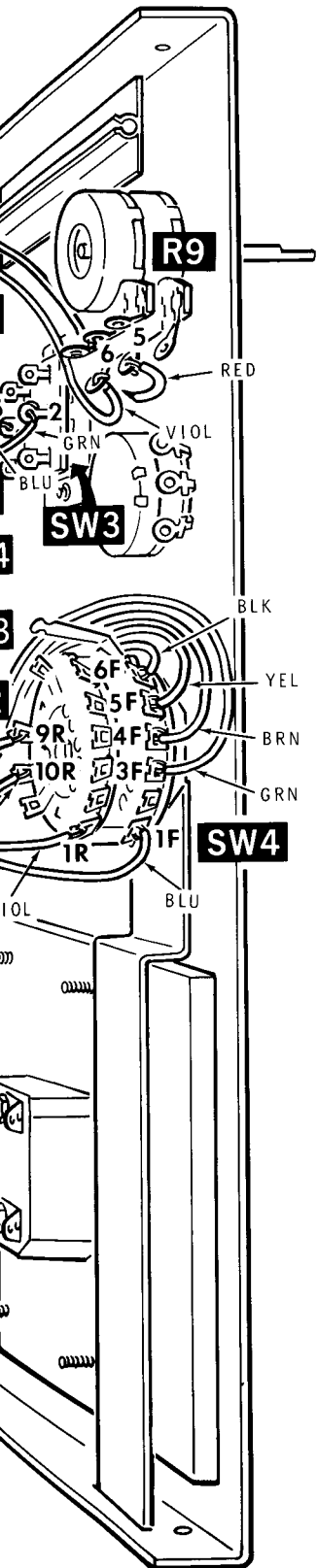
**PICTORIAL 2-2**



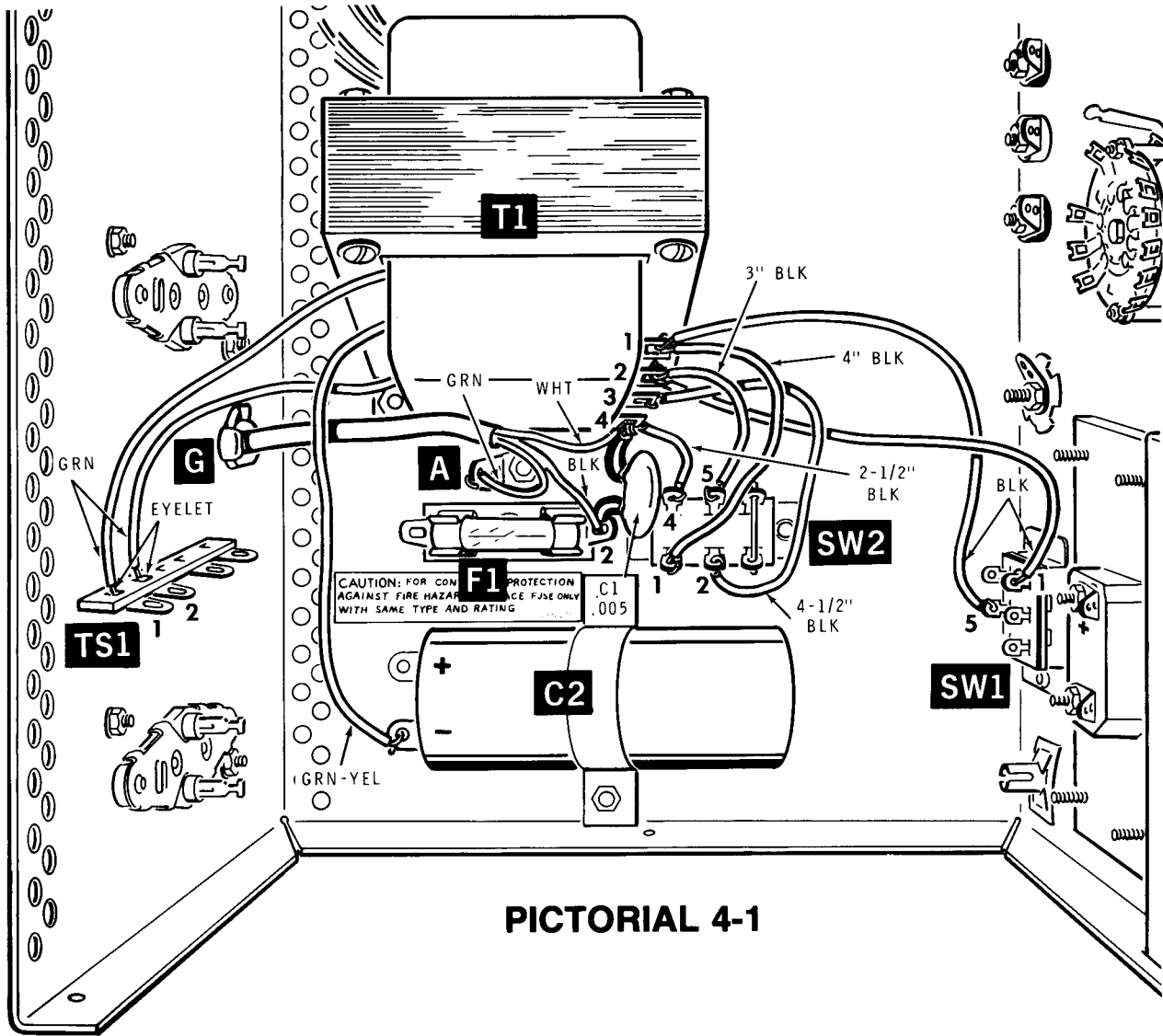
PICTORIAL 2-3



**PICTORIAL 3-1**



**Detail 3-1A**





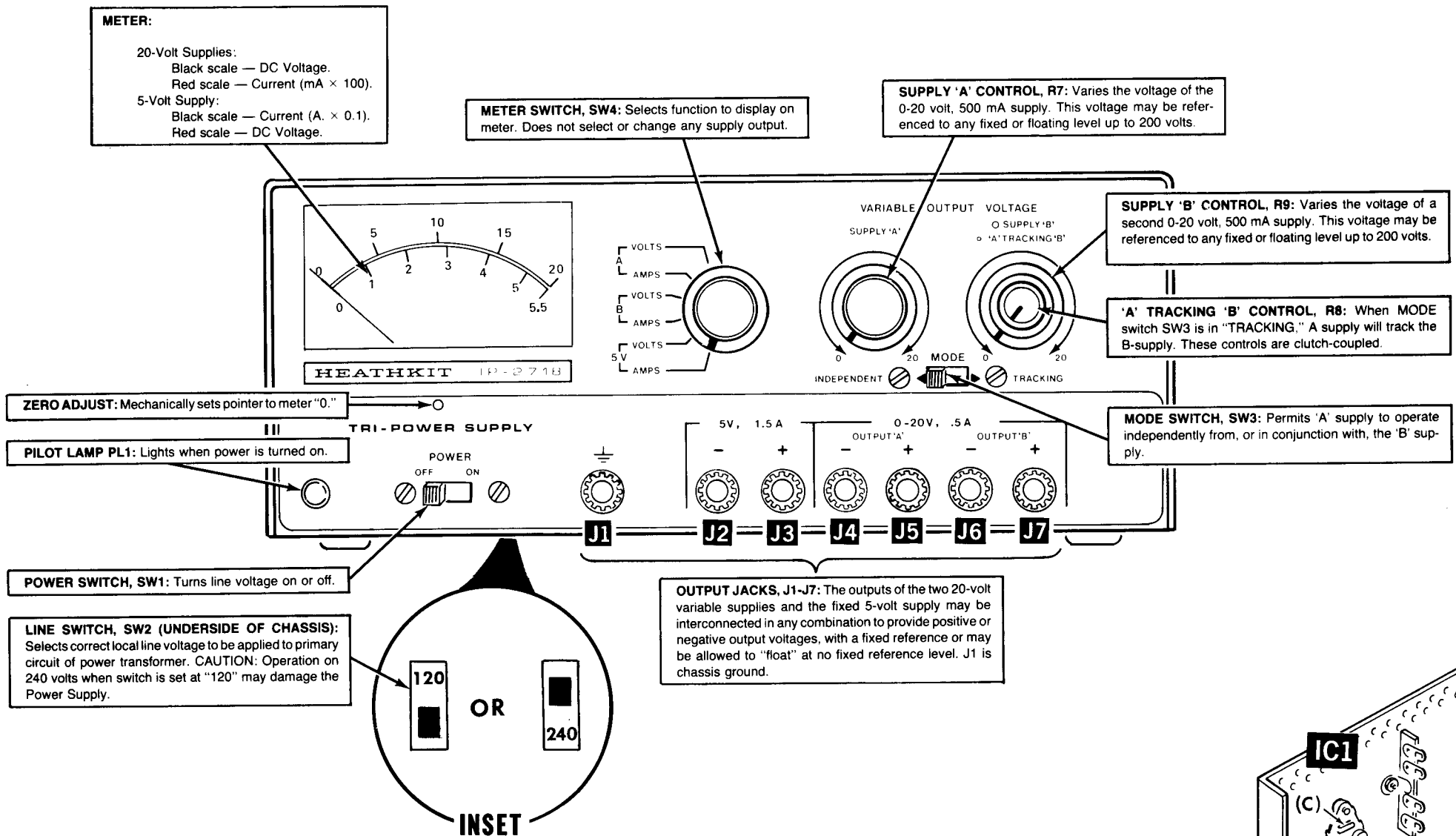
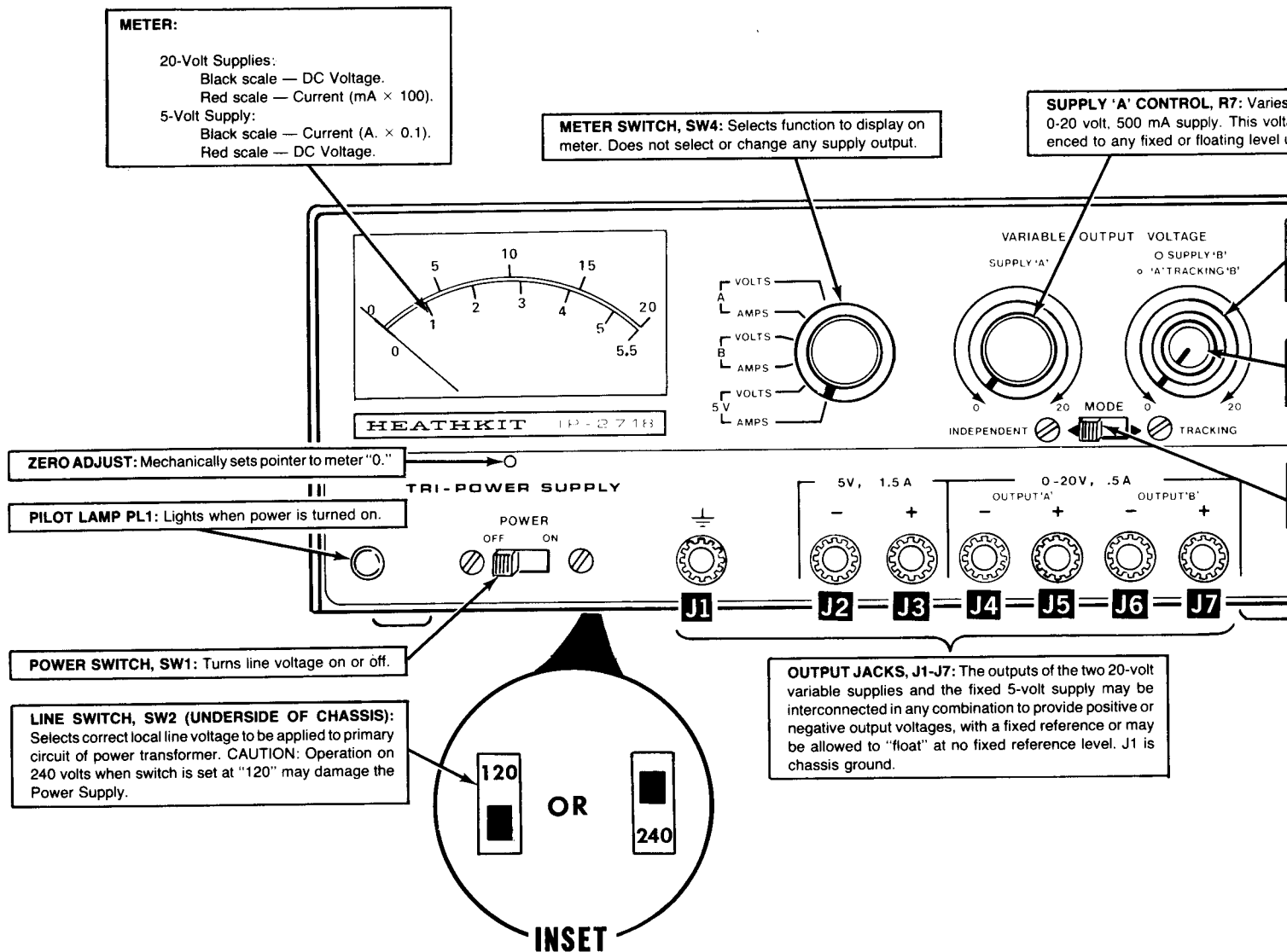
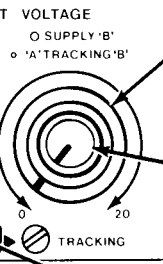


Figure 1



**Figure 1**

**CONTROL, R7:** Varies the voltage of the 0-20 mA supply. This voltage may be referred to any fixed or floating level up to 200 volts.

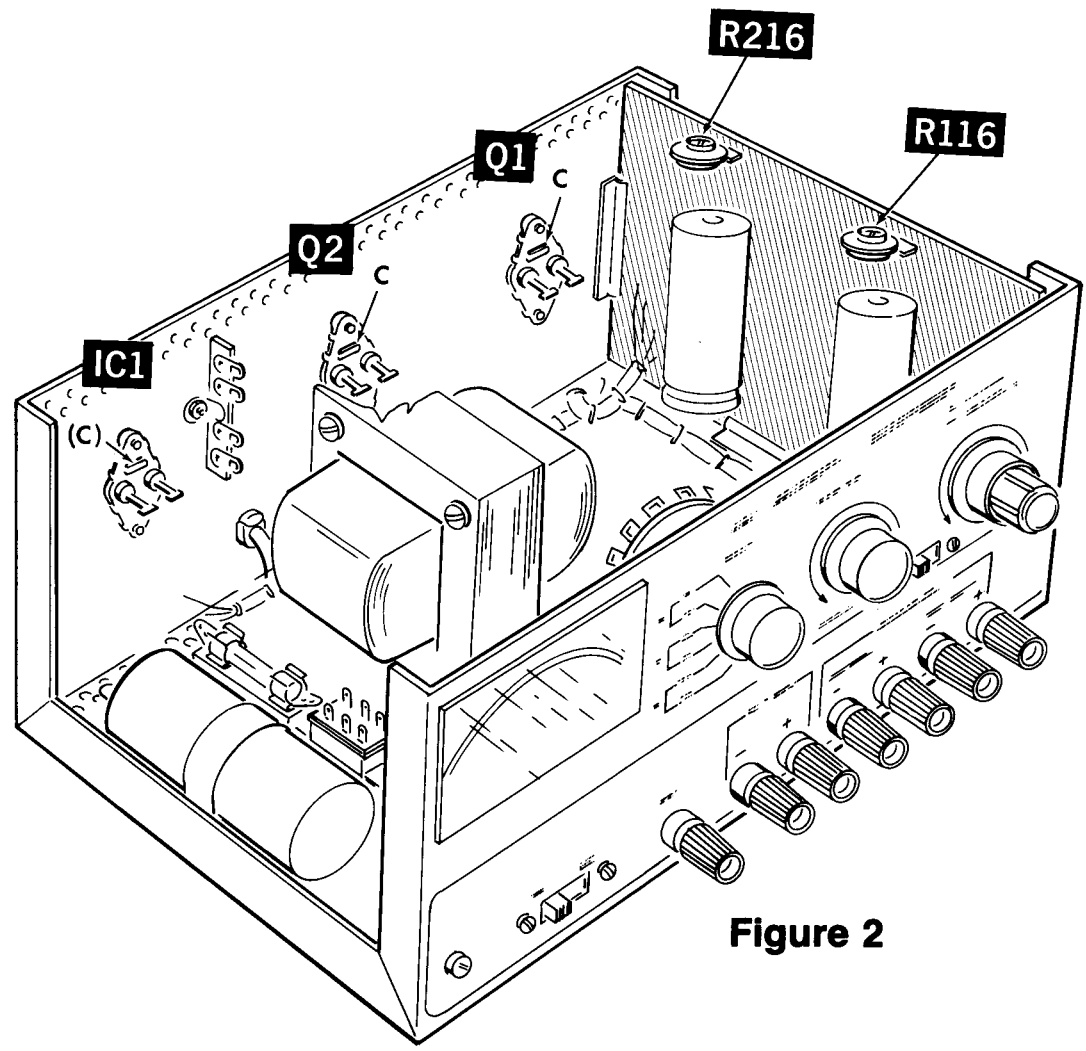


**SUPPLY 'B' CONTROL, R9:** Varies the voltage of a second 0-20 volt, 500 mA supply. This voltage may be referred to any fixed or floating level up to 200 volts.

**'A' TRACKING 'B' CONTROL, R8:** When MODE switch SW3 is in "TRACKING." A supply will track the B-supply. These controls are clutch-coupled.

**MODE SWITCH, SW3:** Permits 'A' supply to operate independently from, or in conjunction with, the 'B' supply.

0-20 volt  
may be  
referred  
to any  
fixed or  
floating  
level up  
to 200  
volts



**Figure 2**